

5602

Air/Gas Regulator



The **5602** is a spring-operated regulator used to supply air or gas to pilots, positioners or to pneumatic controls.

FEATURES:

- Inlet relief
- Dual outlet
- Built-in micron filter

SPECIFICATIONS:

Connection: 1/4" NPT

Temperature Range: -20°F to 180°F (-29°C to 82°C)

Inlet Pressure Rating: 250psi

Outlet Pressure Range:

5602-1 (0-30psi)

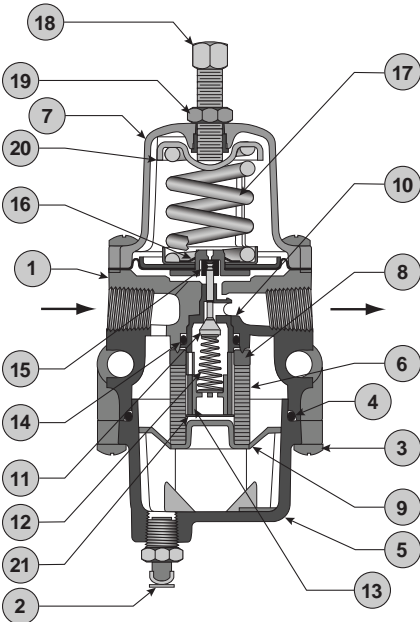
5602-2 (0-60psi)

5602-3 (0-120psi)

Body and Housing Material: Die Cast Aluminum

Capacities in SCFH OF 0.6 SG Natural Gas

| Inlet Pressure (psi) | Outlet Pressure Setting (Spring Range) | | |
|----------------------|--|--------------|---------------|
| | 25psi (0-30) | 40psi (0-60) | 80psi (0-120) |
| 50 | 510 | 190 | --- |
| 75 | 710 | 640 | --- |
| 100 | 960 | 640 | 510 |
| 150 | 1290 | 900 | 840 |
| 250 | 1800 | 1900 | 1300 |



Parts List, Filtered Unit

| Item | Description | Qty. |
|------|-------------------|------|
| 1 | BODY | 1 |
| 2 | DRAIN VALVE | 1 |
| 3 | SCREW | 10 |
| 4 | O-RING | 1 |
| 5 | DRIPWELL | 1 |
| 6 | FILTER ELEMENT | 1 |
| 7 | SPRING CASE | 1 |
| 8 | FILTER GASKET | 1 |
| 9 | FILTER RETAINER | 1 |
| 10 | VALVE CARTRIDGE | 1 |
| 11 | VALVE PLUG | 1 |
| 12 | VALVE SPRING | 1 |
| 13 | VALVE RETAINER | 1 |
| 14 | O-RING | 1 |
| 15 | SOFT SEAT | 1 |
| 16 | DIAPHRAGM ASSY. | 1 |
| 17 | SPRING, 0-30# | 1 |
| 17 | SPRING, 0-60# | 1 |
| 17 | SPRING, 0-120# | 1 |
| 18 | ADJUSTING SCREW | 1 |
| 19 | LOCK NUT | 1 |
| 20 | UPPER SPRING SEAT | 1 |
| 21 | WASHER | 1 |
| 22* | WASHER | 2 |
| 23* | PIPE PLUG | 1 |

* Not Shown

NOTE: Taylor Valve reserves the right to change product designs and specifications without notice.