

5660 High Pressure Regulator

The model **5660** is designed to reduce high inlet pressures to working pressures. Careful design and quality materials throughout assure long, trouble-free operation in the most difficult industrial environments.

FEATURES:

- Non-venting
- Seating surface is field repairable by simply rotating the seat block 180 degrees to a new seating surface

SPECIFICATIONS:

Connection: 1/4" NPT

Temperature Range: -70°F to 225°F (-57°C to 107°C)

Maximum Inlet Pressure: 6000 psig at 100 °F (38°C)

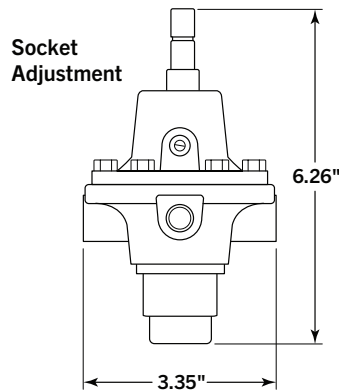
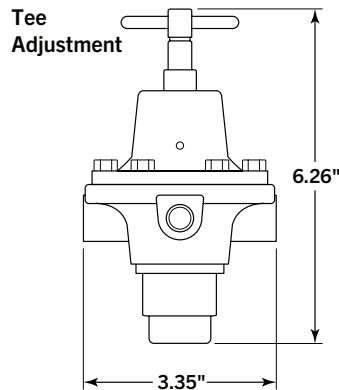
Outlet Pressure: 0 to 125 psi, 0 to 150 psi & 0 to 225 psi

Materials of Construction

Description	Material
Body & Bonnet	Forged Brass
Seat	Nylon
Description	Material
Seals	TFE & Buna-N
Nozzle	316 Stainless Steel
Filter	40 Micron Screen

Ordering Information

Model 5660		
Max. Outlet Pressure	Adjusting Screw	Model Number
125 psi	Socket Tee	5660-1-2
150 psi	Socket Tee	5660-3-4
225 psi	Socket Tee	5660-5-6



Flow Capacities, scfh of 0.6 Specific Gravity Gas

Spring Range (psig)	Outlet Press. Setting (psig)	Inlet Pressure (psig)						
		100	250	500	750	1000	1500	2000
0 to 125	25	290	480	650	750	770	800	820
	50	400	800	1000	1200	1300	1400	1500
	75	400	900	1400	1600	1700	1800	1900
0 to 150	75	350	800	1300	1500	1600	1700	1800
	150	—	1000	1800	2300	2600	2800	3000
0 to 225	150	—	900	1700	2200	2250	2750	3000
	225	—	800	2100	2900	3500	4000	4500